

SECTION VI: PARTS LIST AND EXPLODED VIEWS

HSG200/400 PARTS LIST		
Item	Part No.	Description
1	100934-001	Burner Housing
2	62576-SER6	Air Tube - HSG200 6" (152.4mm)
	63270-004	Air Tube - HSG400 6 1/4" (158.75mm)
	62576-SER9	Air Tube - HSG200 9" (228.6mm)
	63270-015	Air Tube - HSG400 9" (228.6mm)
	62576-SER12	Air Tube - HSG200 12" (304.8mm)
	63270-027	Air Tube - HSG400 12" (304.8mm)
	63270-028	Air Tube - HSG400 15" (381mm)
3	62393-SER	Air Cone - (HSG200 only) (not shown)
4	21724-011	Adjustable Flange Assembly (includes gasket, not shown)
5	100428-002	Flange Gasket (not shown)
6	21664	Blower Wheel 5 1/4" OD (133.35mm) (HSG200)
	21642	Blower Wheel 5 1/2" OD (139.7mm) (HSG400)
7	21658	Side Plate
8	20627	Motor, split phase 1/7 HP (0.107 kW) 3450 RPM 120V/60
	24001-001	Motor, 1/7 HP (0.107 kW) 2850 RPM 230V 50/60 Hz
9	100373-002	Combustion Air Inlet damper
10	62408-001	Control Box (S89E & S89F)
11	62388-001	30 second Pre-purge Timer (Used with P/N 62758-002) (Special Limit Applications Only)
	62530-001	Resistor Wire Assembly
12	60186-004	24 Volt Transformer 120V
	64404-001	24 Volt Transformer 230V 50/60 Hz
	100450-001	Bushing
13	62406-002	Motor Relay
14	62759-002	Ignition Control Honeywell S89F with 30 sec. Pre-purge
	62758-002	Ignition Control Honeywell S89E with 0 sec. Pre-purge (Special Limit Applications Only)
	64420-002	Ignition Control, Wayne with 30 sec. Pre-purge
15	100377-002	Damper Indicator Pointer
16	100429	Damper Decal
15-16	100373-KIT	Includes 100373-002, 100429, 100377-002 and 100410
17	63263-005	Pressure Switch
	63272-005	Pressure Switch Conversion Kit
	63935-001	Pressure Switch (230V/50Hz)
18	60178-002	Thermostat Terminal Strip
19	100372	Adjustment Arm Off-Cycle Damper
20-21	100371-KIT	Off-cycle Damper Kit (not shown)
22	21319	Junction Box (under Ignition Transformer)
23	61843	Lighting Plate
24	62407-001	Ignition Transformer 120V/60 Hz
24	64051-001	Ignition Transformer 230V 50/60 Hz
25	62391-002	Electrode Assembly
26	62390-002	Sensor Probe (flame sensor) Assembly
27	62387-001	Insulator Bushing (QTY 2 REQUIRED ON HSG BURNER)
28	62575-002	Chamber/Manifold - HSG200 6" (152.4mm)
	62575-001	Chamber/Manifold - HSG400 6 1/4" (158.75mm)
	62575-014	Chamber/Manifold - HSG200 9" (228.6mm)
	62575-012	Chamber/Manifold - HSG400 9" (228.6mm)
	62575-026	Chamber/Manifold - HSG200 12" (304.8mm)
	62575-024	Chamber/Manifold - HSG400 12" (304.8mm)
	62575-031	Chamber/Manifold - HSG400 15" (381mm)
29	62419-001	Clip, Electrode Bracket
30	61951-001	Igniter Support Parts Kit (INCLUDES 62419-001 and 62387-001) (not shown)
31	62411-028	11" (279.4mm) Sensor Wire - 6" (152.4mm), 6 1/4" (158.75mm) Burner
	62411-030	14" (355.6mm) Sensor Wire - 9" (228.6mm), 12" (304.8mm) Burner
	62411-068	17" (431.8mm) Sensor Wire - 15" (381mm) Burner
	64096-001	Sense Wire - 330mm Cable (230V 50/60 Hz)

PARTS LIST CONTINUED ON NEXT PAGE.

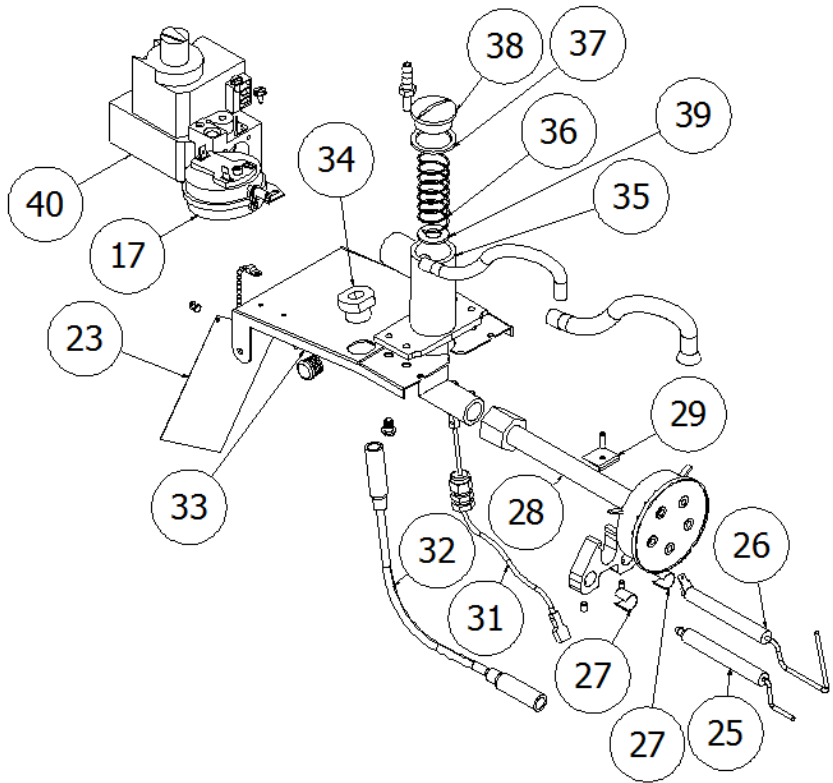


Figure 31: Gun Assembly Exploded

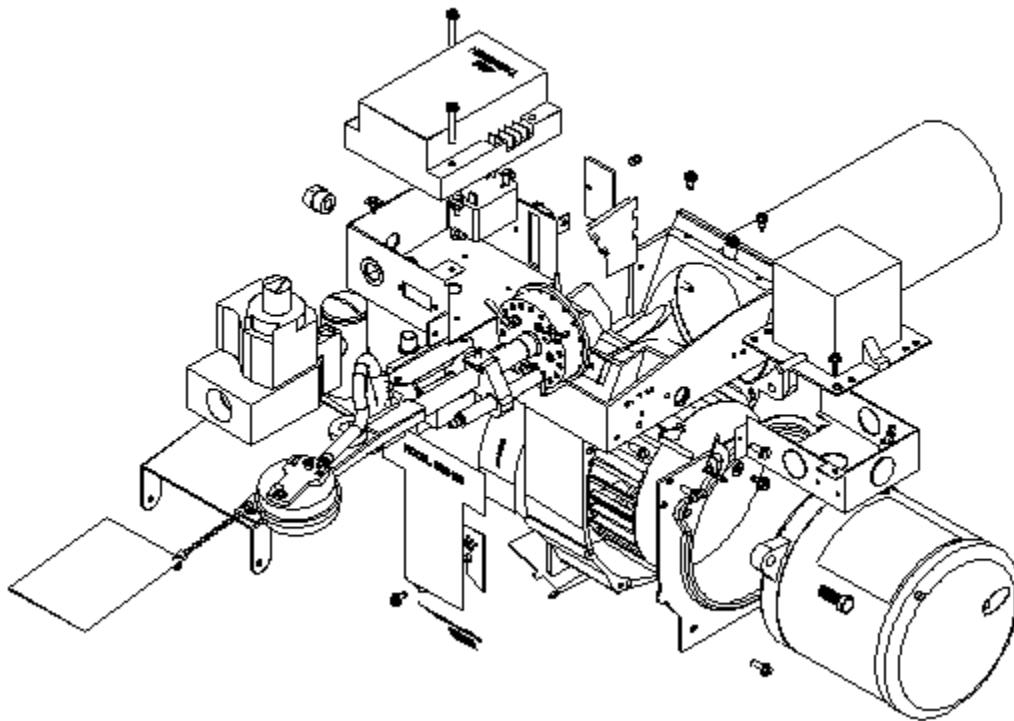


Figure 32: HSG Series Burner Exploded